

4

3

2

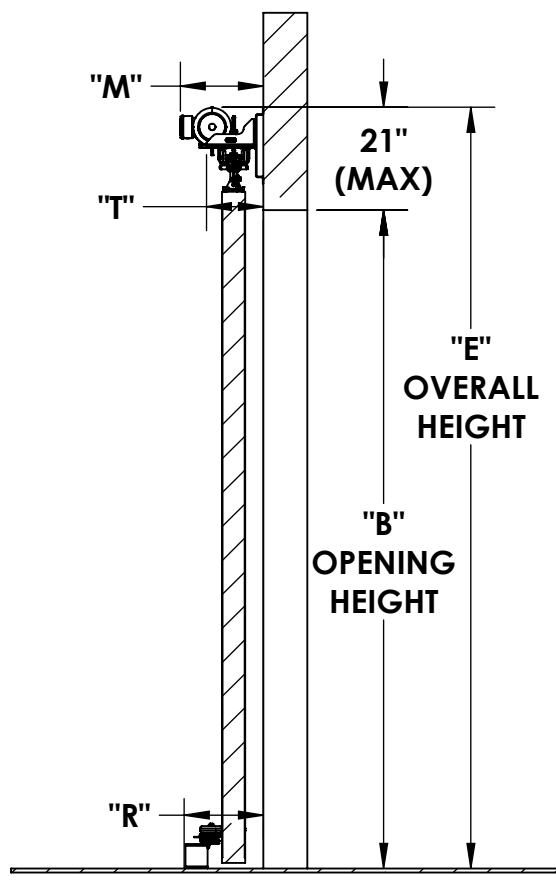
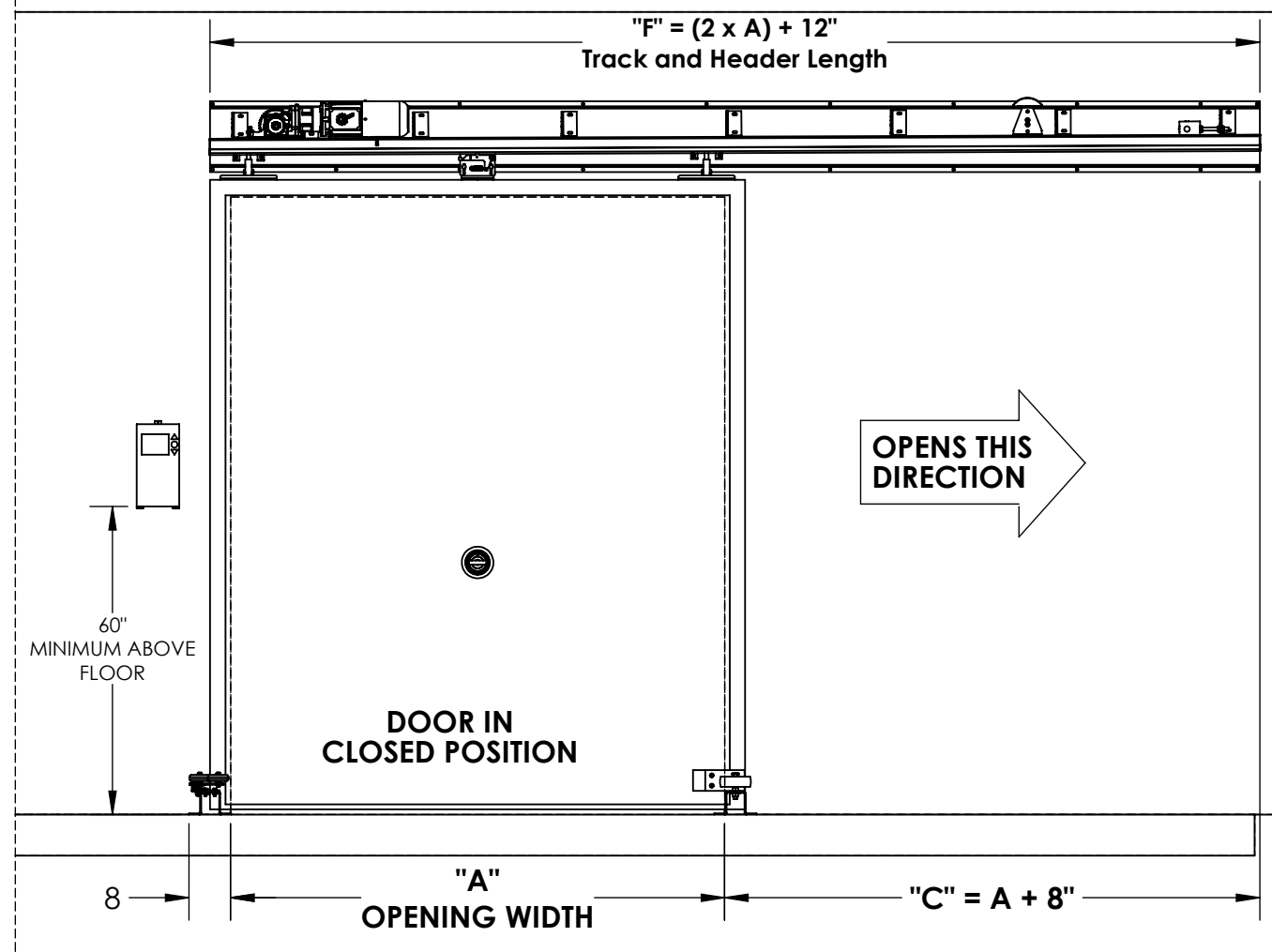
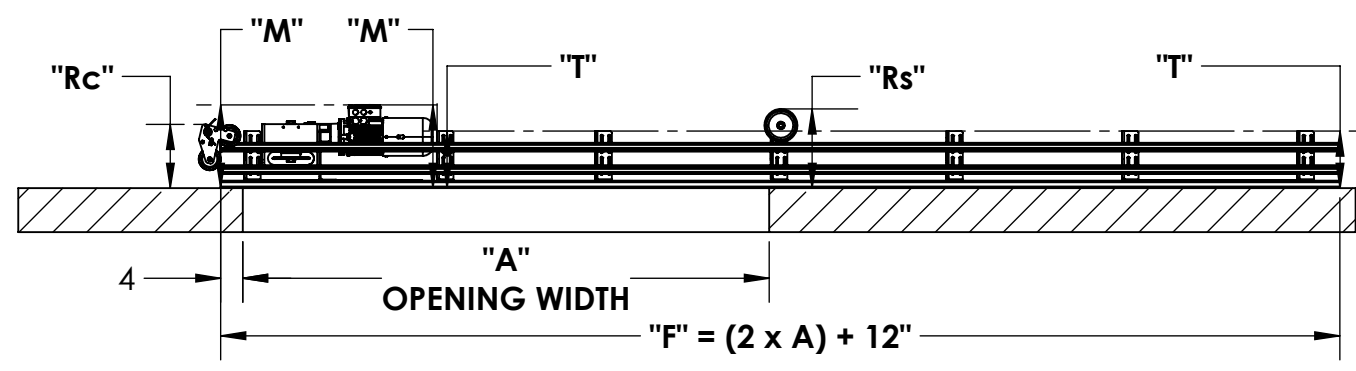
1

B

B

A

A



DIMENSIONS	"A"	"B"	"C"	"E"	"F"
INCHES			0	0	0
MILLIMETERS			0	0	0

Standard Features	
Standard white panel	
4" panel thickness - R17 with and EVA foam core	
Thermoplastic outer shell	
Polyurethane elastomer edge seal	
Dynalogix 5 Control System with HMI capability	
Self diagnostics with Dynalogix 5	
Full perimeter adjustable gasket seal	
Galvanized track system	
Two sets of through beam photo eyes	
Manual panel release system on both sides of panel	

Electrical Options	
460V - 3 PH	575V - 3 PH
230V/208V - 3 PH	230V - 1 PH

Panel Options	
6" Thick - R25 Panel	
8" Thick - R32 Panel	
10" Thick - R41 Panel	
Panel Color - BLUE	

Activation Devices	

Other Options	

TITLE: **RS1100-1**

SIZE B	DWG. NO. DOOR TYPE 1 SINGLE SLIDE	REV
---------------	--	-----

SCALE: 1:35 WEIGHT: SHEET 1 OF 1

	"M"	"T"	"Rs"	"Rc"
4" PANEL (R17)	15.25	10.5	14.5	11.75
6" PANEL (R25)	16.25	10.5	16.5	13.75
8" PANEL (R32)	17.75	13.75	18.5	15.75

4

3

2

1